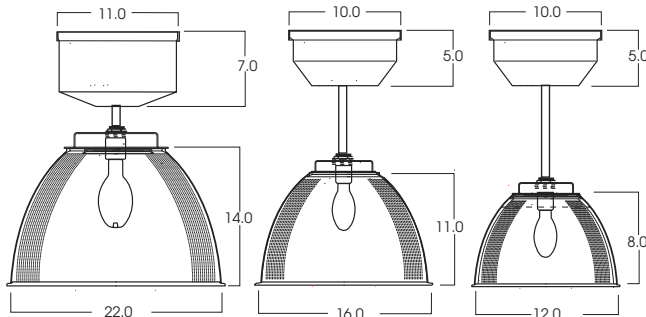


SPECTRUM "LumenMax" DCHRM MH SERIES 400 WATTS MAXIMUM

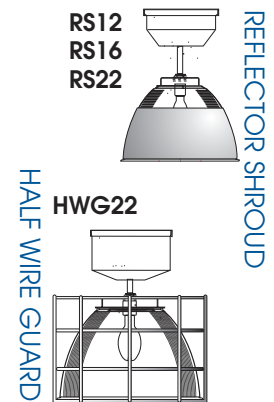
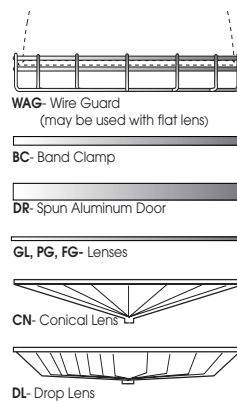


FEATURES:

- The "Lumen Max" metal halide series is designed for high and mid-bay applications.
- **DCHRM** style is decorative and compact. Ceiling mounted.
- Pulse start lamping is standard up to 150 watts. Available for higher wattages.
- Energy-efficient ballast. Maximum distance between lamp center and ballast-consult factory.
- Lexalite® prismatic refractor allows up-light component. Opal and etched diffuse finishes are available.
- Wide choice of mounting options
- 20 Powdercoat colors available, **Gloss White** is standard.
- Damp location listed.
- Made in USA.



DIFFUSER OPTIONS



MODEL	LAMPS*	BALLAST	ELECTRICAL	MOUNTING	REFRACTOR	DIFFUSER OPTIONS
PRDCHRM12- 12" X 8" 100 W MAX	MH39 - 39W MH50 - 50W MH70 - 70 W	H1 - 120Volt H2 - 277Volt EX - Electronic 120/277 up to 100 watts	QRS - Quartz Restrike FS - Fusing PS - Pulse Start DIM - Dimming Consult Factory	HM* - Hang-straight Pendant. 3/8 IPS PM* - Rigid Pendant 3/8 IPS CD* - Aircraft Cable. Straight Cord SM - Surface Mount SC1 - Safety Cable HC - Hook & Cord NM2 - 1/2" Hub NM3 - 3/4" Hub * Specify length in 6" increments	PR12 - Clear 16 Prismatic 22 OP12 - Opal Etch 16 22 DF12 - Diffuse 16 22 SC2 - Safety Cable refractor to trim	MOUNTING WAG12 - Wire 16 Guard 22 HWG22 - Half Wire Guard DOOR12 - Spun 16 Door 22 BC12 - Band 16 Clamp 22 LENS GL - Tempered Glass PG - Prismatic Glass FG - Frosted Glass CN - Conical Lens DL - Drop Lens
EXAMPLE: PRDCH22	MH320	H1	PS	/HM36	/PR22	/WAG22 PG



PROJECT: MODEL NO:	TYPE:
-----------------------	-------